

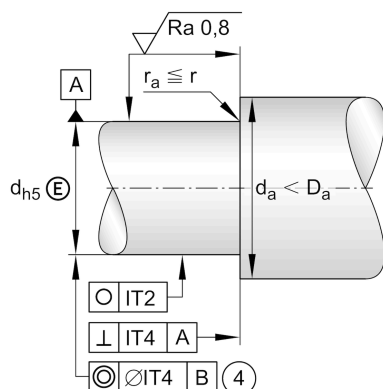
## ZARN45105-L-TV

Axial/radial bearing

Schaeffler ID:  
0016831010000

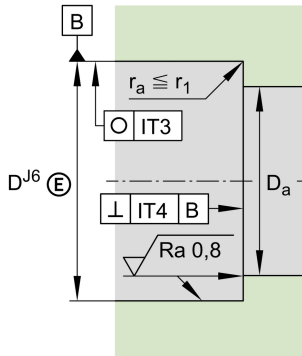
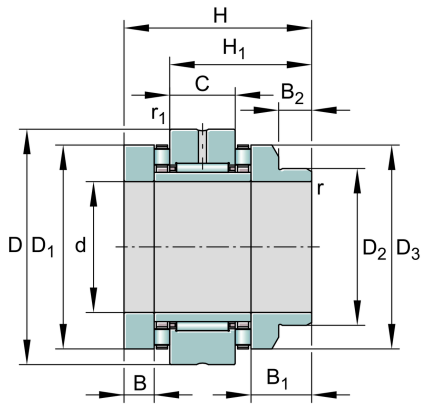
Needle roller/axial cylindrical roller bearings ZARN..-L, double direction, long shaft locating washer

### Technical information



### Main Dimensions & Performance Data

d	45 mm	Bore diameter
D	105 mm	Outside diameter
H	103 mm	Height
C <sub>a</sub>	154,000 N	Basic dynamic load rating, axial
C <sub>0a</sub>	405,000 N	Basic static load rating, axial
C <sub>r</sub>	40,000 N	Basic dynamic load rating, radial
C <sub>0r</sub>	82,000 N	Basic static load rating, radial
C <sub>ua</sub>	37,500 N	Fatigue load limit, axial
C <sub>ur</sub>	11,500 N	Fatigue load limit, radial
n <sub>G Oil</sub>	3,300 1/min	Limiting speed for oil lubrication
n <sub>G Grease</sub>	1,150 1/min	Limiting speed for grease lubrication
M <sub>RL</sub>	3.5 Nm	Bearing friction torque
	3.407 kg	Weight



### Dimensions

$H_1$	74.5 mm	Height outer ring over wave washer
$c_{aL}$	4,000 N/ $\mu\text{m}$	Rigidity axial
$c_{kL}$	2,100 Nm/mrad	Tilting stiffness
$C$	25 mm	Width, outer ring
$M_m$	28.1 kg * $\text{cm}^2$	Mass moment of inertia
	1 $\mu\text{m}$	Axial runout
$D_1$	90 mm	Rip diameter shaft washer
$D_2$	70 mm	Heeldiameter wave washer long
radial	ZMA45/85	Locknut 1
axial	AM45	Locknut 2
$D_3$	88 mm	Outside diameter wave washer long
$M_A$	150 Nm	Tightening torque nut
$B$	17.5 mm	Width, inner ring
	33,549 N	Preload force axial
$B_1$	38.5 mm	Width wave washer long
	70X90X10	Sealing ring
$B_2$	18 mm	Width heel wave washer long
$r_{\text{min}}$	0.3 mm	Minimum chamfer dimension
$r_{1 \text{ min}}$	0.6 mm	Minimum chamfer dimension

### Mounting dimensions

$D_{a \text{ max}}$	91 mm	Maximum diameter of housing shoulder
$d_{a \text{ min}}$	68 mm	Minimum diameter shaft shoulder